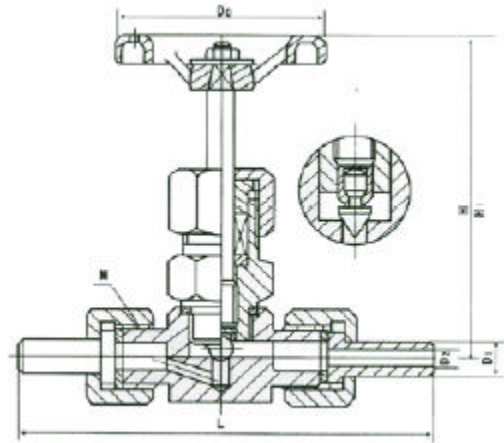




J21/3W-1.6/32P 型针型阀



主要零件材料 Materials for main parts

零件名称 Part name	阀杆、阀盖 Stem, Bonnet	阀杆、阀瓣 Stem, Disc	填料 Packing
J21/3W-16P	铬镍不锈钢 Cr, Ni Stainless steel	铬镍不锈钢 Cr, Ni Stainless steel	聚四氟乙烯、柔性石墨 PTFE, Soft graphite
J21/3W-160、J21/3W-40	优质碳钢 High grade carbon steel	铬不锈钢 Cr, Stainless steel	

主要性能规范 Chief Property and specification

型号 Type	公称压力 (MPa) Nominal Pressure	试验压力 PS (MPa) Test pressure			工作压力 (MPa) Working Pressure	工作温度 () Working Temperature	适用介质 Suitable
		壳体 (MPa) Shell	密封 (液) Seal	密封 (气) Seal			
J21/3W-16	1.6	2.4	1.76	0.6	1.6	P 540 C 425	液化石油气、水、酸、蒸汽、油品等 Petroleum gas Water, Acid, Steam, Oil etc.
J21/3W-40P	4.0	6.0	4.4	0.6	4.0		
J21/3W-160	16.0	24.0	17.6	0.6	16.0		
J21/3W-320P	32.0	48.0	35.2	0.6	32.0		

主要外型及连接尺寸 Main External And Connecting Dimensions (mm)

公称直径 DN (mm) Nominal diameter	尺寸 Dimensions							重量 (kg) Weight
	D0	D1	D2	L	H1	H2	M	
6	65	14	6	140	96	106	20 × 1.5	0.9
10	80	18	10	160	115	125	24 × 1.5	1.18
15	100	22	15	180	122	132	30 × 2	2.0
20	110	28	18	220	156	166	36 × 2	3.5
25	140	33	22	230	169	180	39 × 2	4.3