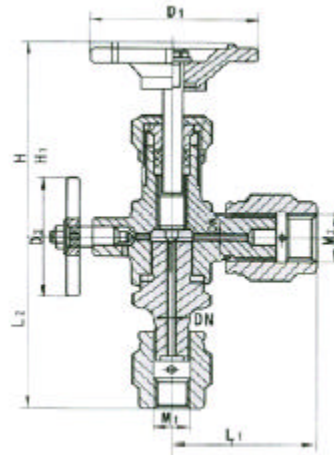




## J29H-1.6/32P 型针型阀



### 主要零件材料 Materials for main parts

零件名称 Part name	阀体 BODY	阀杆 Stem	阀底座 Base	填料 PACKING	填料阀盖 Packing bonnet	手轮 Handwheel
J29H-320-DN3	碳钢 Carbon steel	铬不锈钢 Cr, Stainless steel		聚四氟乙烯、柔性石墨 PTFE, Soft graphite	碳钢 Carbon steel	优质碳钢 High grade carbon steel
J29H-320P-DN6	铬镍不锈钢 Cr, Ni Stainless steel	铬不锈钢 Cr, Stainless steel	铬镍不锈钢 Cr, Ni Stainless steel		不锈钢 Stainless steel	

### 主要性能规范 Chief Property and specification

型号 Type	公称压力 (MPa) Nominal Pressure	试验压力 PS (MPa) Test pressure			工作压力 (MPa) Working Pressure	工作温度 ( ) Working Temperature	适用介质 Suitable
		壳体 (MPa) Shell	密封 (液) Seal	密封 (气) Seal			
J29H-320	32.0	48.0	35.2	0.6	32.0	P 540	液化石油气、水、酸、蒸汽、油品等 Petroleum gas, Water, Acid, Steam, Oil etc.
J29H-320P	32.0	48.0	35.2	0.6	32.0	C 425	

### 主要外型及连接尺寸 Main External And Connecting Dimensions(mm)

型号 Type	公称直径DN(mm) Nominal diameter	尺寸 Dimensions								重量(kg) Weight
		L1	D1	D2	L2	H	H1	M1	M2	
J29H-320	3	60	65	50	65	85	93	M14 × 1.5	M20 × 1.5	1.0
J29H-320P	6	60	65	50	65	85	93	M14 × 1.5	M20 × 1.5	1.0