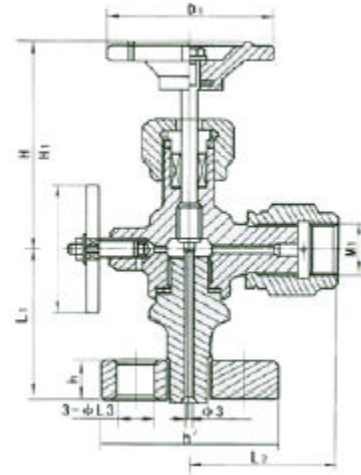




## J49H-1.6/32P 型针型阀



### 主要零件材料 Materials for main parts

| 零件名称<br>Part name | 阀体<br>BODY                      | 阀杆<br>Stem                  | 阀底座<br>Base                     | 填料<br>PACKING                     | 填料阀盖<br>Packing bonnet | 手轮<br>Handwheel                 |
|-------------------|---------------------------------|-----------------------------|---------------------------------|-----------------------------------|------------------------|---------------------------------|
| J49H-320-DN3      | 碳钢<br>Carbon steel              | 铬不锈钢<br>Cr, Stainless steel |                                 | 聚四氟乙稀、柔性石墨<br>PTEF, Soft graphite | 碳钢<br>Carbon steel     | 优质碳钢<br>High grade carbon steel |
| J49H-320P-DN6     | 铬镍不锈钢<br>Cr, Ni Stainless steel | 铬不锈钢<br>Cr, Stainless steel | 铬镍不锈钢<br>Cr, Ni Stainless steel |                                   | 不锈钢<br>Stainless steel |                                 |

### 主要性能规范 Chief Property and specification

| 型号<br>Type | 公称压力<br>(MPa)<br>Nominal Pressure | 试验压力 PS (MPa) Test pressure |                |                | 工作压力 (MPa)<br>Working Pressure | 工作温度 ( )<br>Working Temperature | 适用介质<br>Suitable  |
|------------|-----------------------------------|-----------------------------|----------------|----------------|--------------------------------|---------------------------------|---|
|            |                                   | 壳体 (MPa)<br>Shell           | 密封 (液)<br>Seel | 密封 (气)<br>Seel |                                |                                 |   |
| J49H-320   | 32.0                              | 48.0                        | 35.2           | 0.6            | 32.0                           | P 540                           | 液化石油气水、酸、蒸汽、油品等<br>Petroleum gas Water, Acid, Steam, Oil etc. |
| J49H-320P  | 32.0                              | 48.0                        | 35.2           | 0.6            | 32.0                           | C 425                           |   |

### 主要外型及连接尺寸 Main External And Connecting Dimensions(mm)

| 型号<br>Type | 公称直径DN(mm)<br>Nominal diameter | 尺寸 Dimensions |    |    |    |     |    |    |     |         |    | 重量(kg)<br>Weight |
|------------|--------------------------------|---------------|----|----|----|-----|----|----|-----|---------|----|------------------|
|            |                                | L1            | D1 | D2 | H  | H1  | L2 | h  | h'  | M1      | L3 |                  |
| J49H-320   | 3                              | 60            | 65 | 50 | 88 | 100 | 60 | 15 | φ70 | M20×1.5 | 16 | 1.3              |
| J49H-320P  | 6                              | 60            | 65 | 50 | 88 | 100 | 60 | 15 | φ70 | M20×1.5 | 16 | 1.3              |