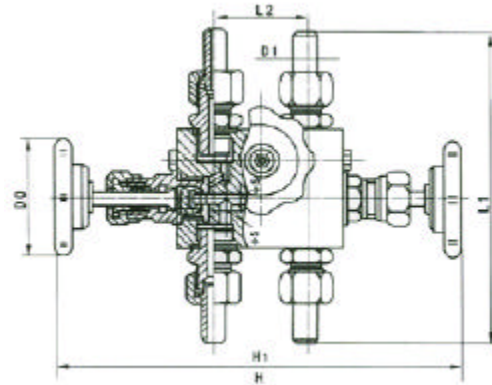
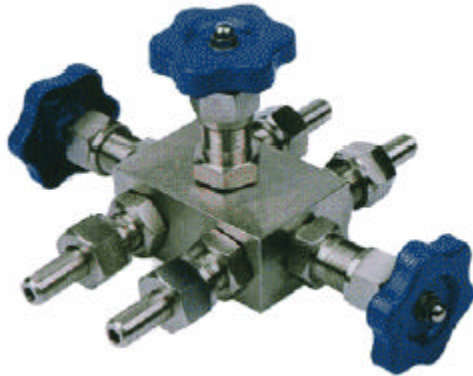




QFF3-1.6/32P 型针型阀



主要零件材料 Materials for main parts

零件名称 Part name	阀体 BODY	阀杆 Stem	阀底座 Base	填料 PACKING	填料阀盖 Packing bonnet	手轮 Handwheel
QFF3-160-DN5	碳钢 Carbon steel	铬不锈钢 Cr,Stainless steel		聚四氟乙稀、柔性石墨 PTFE, Soft graphite	碳钢 Carbon steel	优质碳钢 High grade carbon steel
QFF3-320P-DN5	铬镍不锈钢 Cr,Ni Stainless steel	铬不锈钢 Cr,Stainless steel	铬镍不锈钢 Cr,Ni Stainless steel		不锈钢 Stainless steel	

主要性能规范 Chief Property and specification

型号 Type	公称压力 (MPa) Nominal Pressure	试验压力 PS (MPa) Test pressure			工作压力 (MPa) Working Pressure	工作温度 () Working Temperature	适用介质 Suitable
		壳体 (MPa) Shell	密封 (液) Seal	密封 (气) Seal			
QFF3-320-DN5	32.0	48.0	35.2	0.6	32.0	P 540 C 425	液化石油气水、酸、蒸汽、油品等 Petroleum gas Water, Acid, Steam, Oil etc.

主要外型及连接尺寸 Main External And Connecting Dimensions(mm)

型号 Type	公称直径DN(mm) Nominal diameter	尺寸 Dimensions						重量(kg) Weight
		L1	D1	Do	H	H1	L2	
QFF3-320-DN5	5	200	14	65	234	260	54	3.8